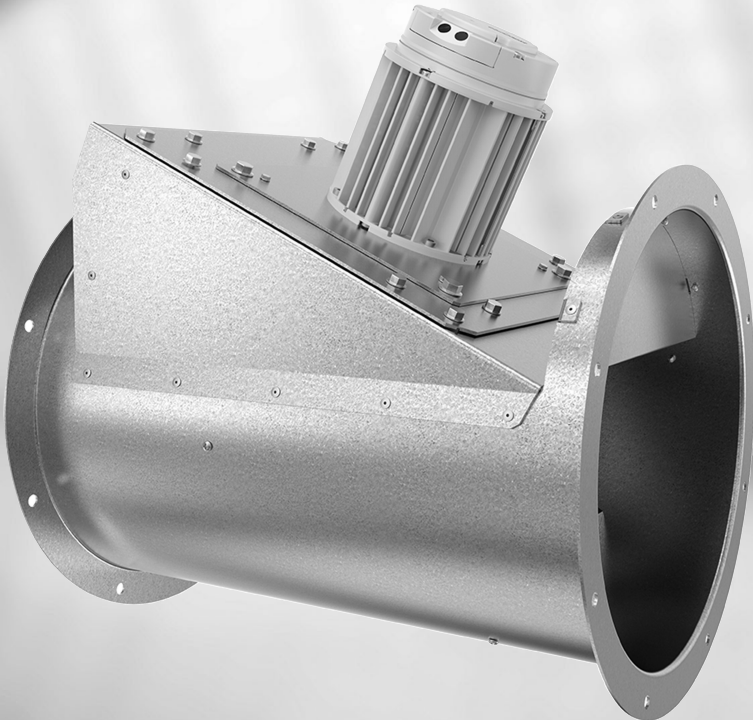


AxZent – Thermo centrifugal fan

GB Installation and Operating Instructions.....2 DE Montage- und Betriebsanleitung24

Document translated from English | 314481 · 001



© Copyright Systemair AB
All rights reserved
E&OE

Systemair AB reserves the rights to alter their products without notice.
This also applies to products already ordered, as long as it does not affect the previously agreed specifications.

Contents

1	General information	5	9.4	Protective grounding wire	14
1.1	Notice symbols	5	9.5	Residual current circuit breaker	14
1.1.1	Instruction symbols	5	9.6	Protecting the motor	14
2	Safety notes	5	9.7	Variable-speed fans	15
2.1	Personnel	6	10	Commissioning	15
2.2	Personal protective equipment	6	10.1	Safety information	15
2.3	5 rules of electrical safety	6	10.2	Preconditions	15
3	Warranty	6	10.3	Commissioning Report	15
4	Delivery, transport, storage	6	10.4	Tests before activation	16
4.1	Safety information	6	10.5	Tests (AC motor)	16
4.2	Delivery	7	10.6	Tests (EC motor)	16
4.3	Transport	7	11	Operation	16
4.3.1	Safety information	7	11.1	Safety information	16
4.4	Storage	7	11.2	Preconditions	16
5	Description	8	12	Troubleshooting/maintenance/repair	17
5.1	AxZent equipped with an EC motor	8	12.1	Safety information	17
5.2	AxZent equipped with an AC motor	8	12.2	Troubleshooting	17
5.3	Air flow direction	8	12.3	Maintenance	18
5.4	Dimensions	8	12.4	Spare parts	19
5.5	Technical data	9	13	Cleaning	19
5.6	Motor data	9	13.1	Safety information	19
5.7	Intended use	9	13.2	Procedure	19
5.8	Incorrect use	9	14	Deinstallation/dismantling	19
6	Name plate and type key	10	15	Disposal	19
7	Accessories	11	16	EU Declaration of conformity – Thermo fans	20
8	Installation	11	17	Commissioning Report	21
8.1	Safety information	11			
8.2	Preconditions	12			
8.3	Installation variations	12			
8.4	Shaft extensions	13			
8.4.1	Steel shaft extension	13			
8.4.2	Rotor with screw-down hub made from aluminium or steel	13			
8.4.3	Rotor with taper clamping bush	13			
9	Electrical connection	14			
9.1	Safety information	14			
9.2	Preconditions	14			
9.3	Connection	14			

1 General information

1.1 Notice symbols



Danger

Direct hazard

Failure to comply with this warning will lead directly to death or to serious injury.



Warning

Potential hazard

Failure to comply with this warning may lead to death or serious injury.



Caution

Hazard with a low risk

Failure to comply with this warning may lead to moderate injuries.

Important

Hazard with risk of damage to objects

Failure to comply with this warning will lead to damage to objects.



Note:

Useful information and instructions

1.1.1 Instruction symbols

Instruction

- ◆ Carry out this action
- ◆ (if applicable, further actions)

Instruction with fixed sequence

1. Carry out this action
2. Carry out this action
3. (if applicable, further actions)

2 Safety notes

Planners, plant builders and operators are responsible for the proper assembly and intended use.

- ◆ Read the operating instructions completely and carefully.
- ◆ Keep the operating instructions and other valid documents, such as the circuit diagram or motor instructions, with the fan. They must always be available at the place of use.
- ◆ Observe and respect local conditions, regulations and laws.
- ◆ Only use the fan in a flawless condition.
- ◆ Provide generally prescribed electrical and mechanical protective devices.
- ◆ During installation, electrical connection, commissioning, troubleshooting, and maintenance, secure the location and premises against unauthorised access.
- ◆ Do not circumvent any safety components or put them out of action.
- ◆ Keep all the warning signs on the fan complete and in a legible condition.
- ◆ The device is not to be used by persons (including children) with reduced physical, sensory or mental capabilities, or lack of experience and knowledge, unless they have been given supervision or instruction.
- ◆ Do not allow children to play with the device.

2.1 Personnel

The fan may only be used by qualified, instructed and trained personnel. The persons must know the relevant safety directives in order to recognise and to avoid risks. The individual activities and qualifications can be found in Table 1 *Qualifications*, page 6.

Table 1 Qualifications

Activities	Electrical expert or matching qualification	Fitter or matching qualification	Trained personnel (see following note)
Storage, operation, transport, cleaning, disposal			X
Electrical connection, commissioning, electrical disconnection	X		
Installation, disassembly		X	
Maintenance	X	X	
Repair	Smoke extraction fans and EX fans only by agreement with Systemair.		



Note:

The operator is responsible for ensuring that personnel are instructed and have understood the contents of the operating instructions. If something is unclear, please contact Systemair or its representative.

2.2 Personal protective equipment

Wear protective equipment during all work in the vicinity of the fan.

- protective working clothes
- protective working gloves
- goggles
- protective working shoes
- helmet
- hearing protection

2.3 5 rules of electrical safety

- Disconnect (disconnection of the electrical system from live components at all terminals)
- Prevent reactivation
- Test absence of voltage
- Ground and short-circuit
- Cover or restrict adjacent live parts

3 Warranty

The warranty for our products is determined by the contractual stipulations, our offers and our Terms and Conditions. Warranty claims presuppose that the product is properly connected, operated according to data sheets and serviced as needed. A correct commissioning report must also be presented upon request. Please find the commissioning report attached to this document.

4 Delivery, transport, storage

4.1 Safety information

Warning: Risk from rotating fan blades

- ◆ Prevent access by unauthorised persons by safety personnel or access protection.

Warning: Suspended loads

- ◆ Wear protective equipment during all work in the vicinity of the fan, details see 2.2 *Personal protective equipment*, page 6.
- ◆ Do not walk under suspended loads.

- ◆ Make sure that there is nobody under a suspended load.

4.2 Delivery

Each fan leaves our plant in an electrically and mechanically proper condition. We recommend transporting the fan to the installation site in the original packaging.

Checking delivery

- ◆ Check the packaging and the fan for transport damage. Any findings should be noted on the cargo manifest.
- ◆ Check completeness of the delivery.

Unpacking



Warning

When opening the transport packaging, there is a risk of damage from sharp edges, nails, staples, splinters etc.

- ◆ Unpack the fan carefully.
- ◆ Check the fan for obvious transport damage.
- ◆ Only remove the packaging shortly before assembly.
- ◆ Wear protective equipment during all work in the vicinity of the fan, details see 2.2 *Personal protective equipment*, page 6.

4.3 Transport

4.3.1 Safety information

Warning: Electrical or mechanical hazards due to fire, moisture, short circuit or malfunction.

- ◆ Never transport the fan by the connecting wire, terminal box, rotor, protection grille, inlet cone or silencer.
- ◆ In open transport, please make sure that no water can penetrate into the motor or other sensitive parts.
- ◆ We recommend transporting the fan to the installation site in the original packaging.

Caution: If transported without care during loading and unloading, the fan may be damaged.

- ◆ Load and unload the fan carefully.
- ◆ Use hoisting equipment that is suitable for the weight to be hoisted.
- ◆ Observe the transportation arrows on the packaging.
- ◆ Use the fan packaging exclusively as transport protection and not as a lifting aid.

4.4 Storage

- ◆ Store the fan in the original packaging in a dry, dust-free location protected against weather.
- ◆ Avoid the effects of extreme heat or cold.

Important

Hazard due to loss of function of the motor bearing

- ◆ Avoid storing for too long (recommendation: max. 1 year).
- ◆ Turn the rotor manually every three months, wear safety gloves when doing this.
- ◆ Check that the motor bearing functions properly before installation.

5 Description

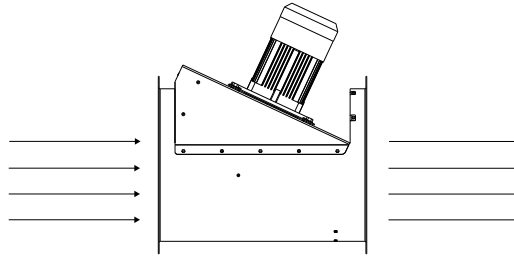
5.1 AxZent equipped with an EC motor

The fans are driven by EC motors. These motors are delivered with a pre-wired potentiometer (0-10 V) that allows you to easily find the required working point of the fan. All motors are suitable for 50/60 Hz. The input voltage for single-phase units can vary between 200 and 277 V for three phase units between 380 and 480 V. All models have one potential-free terminal for error message.

5.2 AxZent equipped with an AC motor

For information on speed regulation options, see 6 *Name plate and type key*, page 10

5.3 Air flow direction



5.4 Dimensions

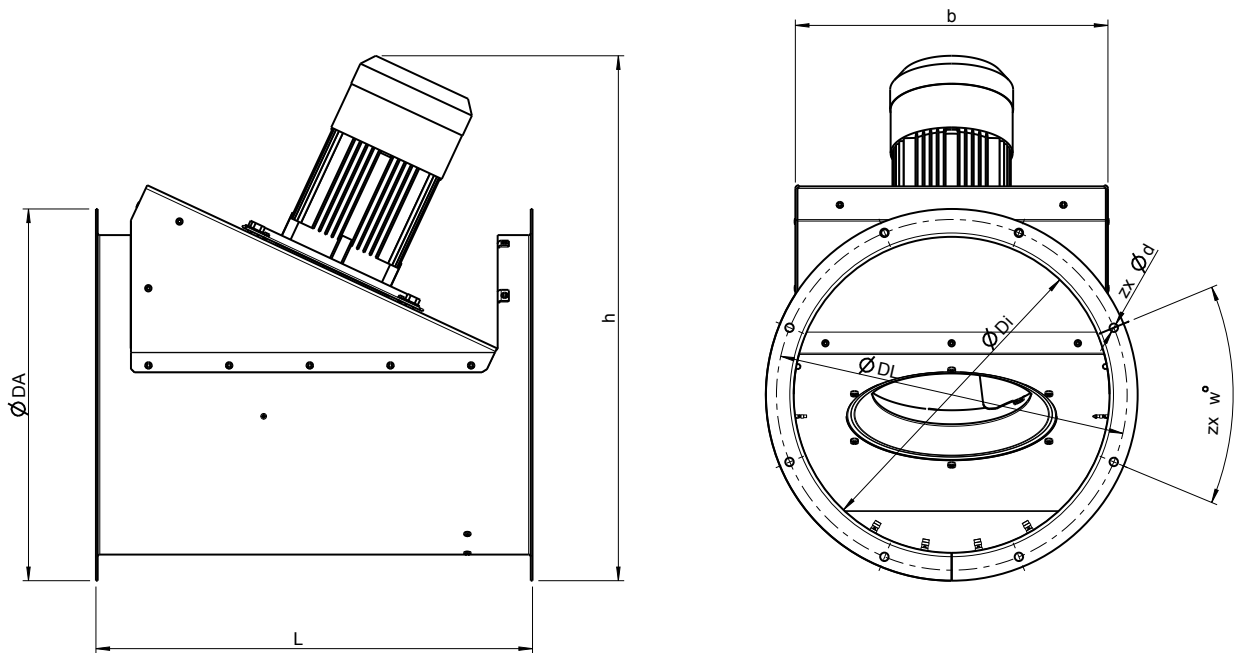


Table 2 Dimensions AxZent [mm]

Size	L	ØDa	b	ØDi	ØDL	z x w	z x ød
400	585.7	480	391.7	400.5	450	8 x 45°	8 x Ø12
450	622.5	530	445.7	450.5	500.4	8 x 45°	8 x Ø12
500	720	590	495.7	500.5	560	12 x 30°	12 x Ø12
560	795	650	558	560.5	620	12 x 30°	12 x Ø12
630	825	720	629,7	630.5	690	12 x 30°	12 x Ø12

Table 3 Axzent Measurement h

400	D2: 722.5 mm / DV: 637.5 mm / E4: 653.80 mm / EC: 635 mm	560	D4: 808.4 mm / E4: 815 mm / EC: 795 mm
450	D2: 748.4 mm / DV: 662.9 mm / E4: 679.2 mm / EC: 660 mm	630	D4: 898mm / E4: 898 mm / EC: 899 mm
500	DV: 727.7 mm / E4: 7442 mm / EC: 746 mm		

5.5 Technical data

- Temperature range [°C] of transported air = -20 to 120 (This is the maximum range. For the temperature range of your fan, please check the data sheet.)
- Voltage/current/enclosure class/weight/impeller diameter = see name plate
- Sound pressure [dB(A)] = see data sheet

5.6 Motor data

The motor data can be found on the name plate of the motor, or in the technical documents of the motor manufacturer.

5.7 Intended use

- The fans are intended for installation in ventilation systems. They can be installed both in duct systems and also with free suction via an inlet cone and a suction-side contact protection grille. Free discharge via a contact protection grille is also possible.
- The fan is suitable for conveying contaminated air (dust, kitchen exhaust), with a density of 1.3 kg/m³ and a max. air humidity of 95%.
- The maximum permissible operating data on the name plate apply for an air density of 1.2 kg/m³ (sea level) and a max. air humidity of 80%.

5.8 Incorrect use

Incorrect use refers mainly to using the fan in another way to that described. The following uses are incorrect and hazardous:

- Conveying of explosive and combustible media
- Conveying of aggressive media
- Operation in an explosive atmosphere
- Operation without duct system or protection grille
- Operation with the air connections closed
- Installation outside without weather protection

7 Accessories



Note:

For details of the accessories, please check our online catalog or contact Systemair.

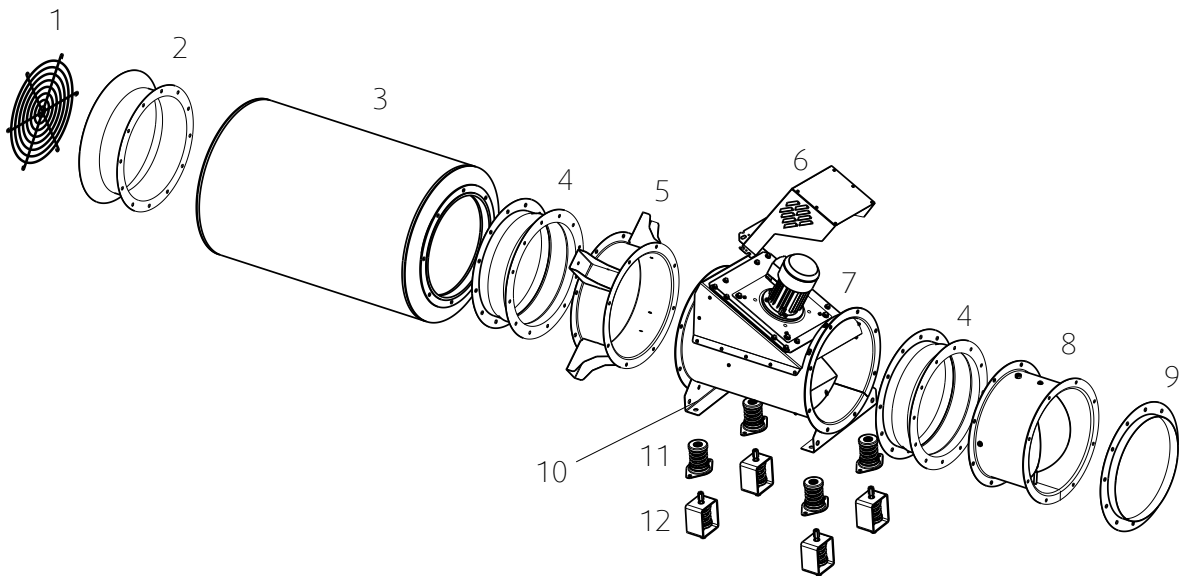


Table 5 Accessories

1	SG	Protection guard	7	AxZent	Fan
2	ESD-F	Inlet cone	8	LRK	Air operated damper
3	RSA	Silencer	9	GFL	Counter flange
4	EVH	Flexible connection	10	MFA	Mounting foot
5	MPR	Mounting ring	11	FSD	Spring anti-vibration mounts
6	WSD	Weather protection roof	12	ZSD	Suspension spring anti-vibration mounts

8 Installation

8.1 Safety information

Warning: Danger from falling fan or fan parts.

- ◆ Check the surface before installation for load bearing capacity.
- ◆ Consider all static and dynamic loads when selecting hoisting equipment and fastening components.

General safety information

- ◆ Installation may only be carried out by adequately qualified persons, details see Table 1 *Qualifications*, page 6.
- ◆ Wear protective equipment during all work in the vicinity of the fan, details see 2.2 *Personal protective equipment*, page 6.
- ◆ Abide by the system-related conditions and requirements of the system manufacturer or plant constructor.
- ◆ Do not dismantle or circumvent safety elements, or put them out of function.
- ◆ Move the rotor of the fan by hand before you install it in order to check that it moves freely.
- ◆ Provide contact and intake protection and ensure safety distances according to DIN EN ISO13857 and DIN 24167-1.
- ◆ Prevent the possibility of foreign bodies being drawn in.
- ◆ To reduce transmission of vibration to the duct system, we recommend flexible connections from our accessory range, see chapter Accessories.

8.2 Preconditions

- ◆ Ensure that the fan and all its components are undamaged.
- ◆ Ensure that the information on the name plates (fan and motor) matches up with the operating conditions.
- ◆ Ensure that there is enough space to install the fan.
- ◆ Protect against dust and moisture when installing.
- ◆ Fit the fans in such a way that there is sufficient access for troubleshooting, maintenance and repair.

Important

Damage to the bearings or other parts of the fan can occur.

- ◆ Do not place a duct bend directly before or after the fan!
- ◆ Ensure a smooth and constant air flow to the device. Ensure a free exhaust. See Fig. 1 *Straight ducts*, page 12.

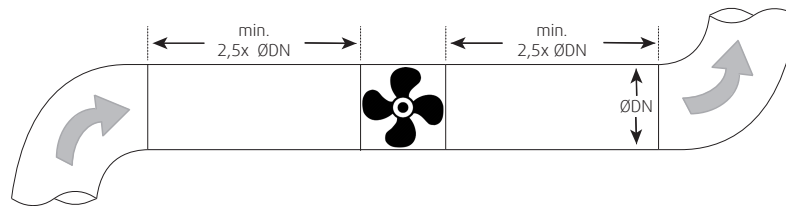


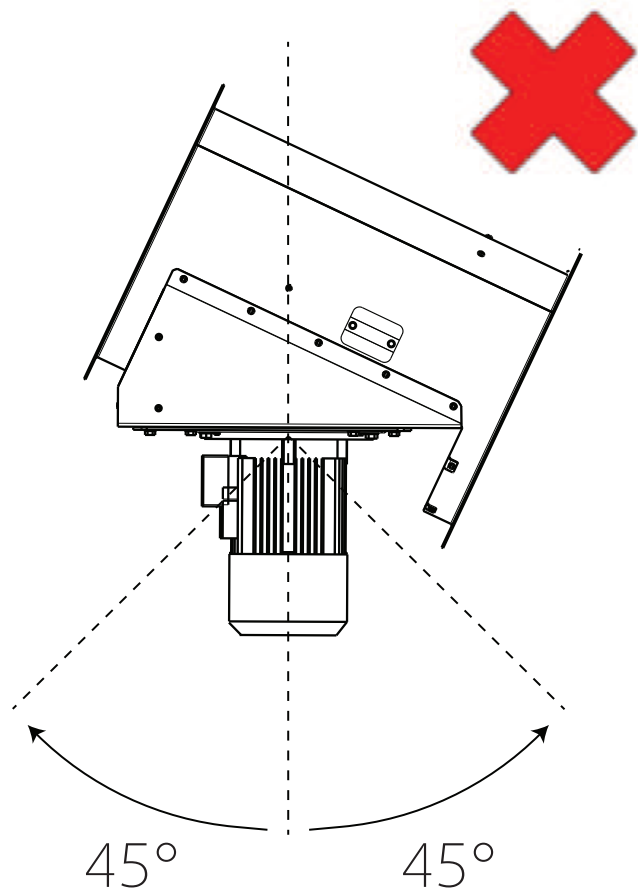
Fig. 1 Straight ducts

8.3 Installation variations

Important

Dirt deposits

- ◆ In order to avoid dirt deposits in the fan, the motor must not be oriented downwards. Therefore, the installation positions as shown in the adjacent image have to be avoided.



8.4 Shaft extensions

Important

Damage to the motor and rotor.

The ball bearing of the motor and the balanced rotor may be damaged by forceful impacts.

- ◆ Attach the rotor and/or the shaft extension to the shaft or the rotor without forceful impacts.



Note:

The hub can be heated for easier assembly and dismantling, for example with a hot-air blower.

- Precondition for assembly: the wedge is in the intended groove.
- Tools: matching hexagonal wrench and suitable tool for removal, torque wrench for the taper clamping bush.

8.4.1 Steel shaft extension

8.4.1.1 Disassembly

1. Loosen the screws of the sleeve with the hexagonal wrench.
2. Loosen the screw at the front of the motor shaft with the hexagonal wrench.
3. Pull off the shaft extension with the removal tool.

8.4.1.2 Assembly

1. Slide the shaft extension sleeve on the motor shaft.
2. Tighten the screws of the sleeve with the hexagonal wrench.
3. Tighten the screw at the front of the motor shaft with the hexagonal wrench.
4. Tighten the screws of the sleeve with the hexagonal wrench so that they push against the wedge of the shaft.

8.4.2 Rotor with screw-down hub made from aluminium or steel

8.4.2.1 Disassembly

1. Loosen the screws of the hub with the hexagonal wrench.
2. Pull off the rotor at the intended point with the removal tool.

8.4.2.2 Assembly

1. Place the rotor with aluminium or steel hub on the shaft without using force.
2. Tighten the screws of the hub with the hexagonal wrench.

8.4.3 Rotor with taper clamping bush

8.4.3.1 Disassembly

1. Loosen the two opposed screws with the hexagonal wrench.
2. Insert one screw into the middle of the three threaded bores and remove the clamping bush from the shaft.

8.4.3.2 Assembly

1. Insert the clamping bush into the rotor.
2. Slightly tighten the two opposite screws.
3. Place the rotor on the shaft without using force.
4. Tighten the two screws evenly with the torque wrench with the tightening torque according to table 6.

Table 6 Tightening torques for various types of bush

Type of bush	1008	1108	1210	1215	1310	1610	1615	2012	2517	3020
Tightening torque [Nm]	5.7	5.7	20	20	20	20	20	31	49	92

9 Electrical connection

9.1 Safety information

Warning: Danger from electrical voltage!

- ◆ Observe the 5 rules of electrical safety, see 2.3 *5 rules of electrical safety*, page 6.
- ◆ Prevent the ingress of water into the connection box.
- ◆ Electrical connection may only be carried out by adequately qualified persons, details see Table 1 *Qualifications*, page 6.
- ◆ Observe and respect local conditions, regulations and laws.
- ◆ Wear protective equipment during all work in the vicinity of the fan, details see 2.2 *Personal protective equipment*, page 6

9.2 Preconditions

- ◆ Abide by the system-related conditions and requirements of the system manufacturer or plant constructor.
- ◆ Safety elements may not be dismantled, circumvented or deactivated.
- ◆ Install a circuit breaker in the permanent electrical installation, with a contact opening of at least 3 mm at each pole.

9.3 Connection

- ◆ Check if the data on the nameplate matches the connection data.
- ◆ Complete the electrical connection according to the circuit diagram.
- ◆ Lay the connection cables in the terminal box in such a way that allows the cover of the terminal box to be closed without resistance.
- ◆ Use all of the locking screws.
- ◆ Insert the screws by hand to avoid damaging the thread.
- ◆ Tighten all glands well in order to guarantee protection class IP.
- ◆ Screw the lid of the terminal box/inspection switch evenly tight.
- ◆ Connect the cable end in a dry environment.

9.4 Protective grounding wire

The protective grounding must have a cross-section equal to or greater than that of the phase conductor.

9.5 Residual current circuit breaker

All-current-sensitive residual current circuit breakers are required for use in alternating-current systems with 50/60 Hz, in combination with electronic devices such as EC motors, frequency converters or uninterruptible power supplies (UPS).

9.6 Protecting the motor



Note:

In fans equipped with an EC motor, there is no additional motor protection needed. The motor protection is integrated in the electronics of the motor.

Important

Damage to motor due to overcurrent, overload or short circuit.

- ◆ Use (all-pole) circuit breaker (characteristic C or K) or motor protection switches.
- ◆ Always connect thermo-contacts or cold conductors to a motor protection switch.

9.7 Variable-speed fans



Warning

Resonant frequencies may result in increased vibration in certain speed ranges. These vibrations may destroy components.

- ◆ Only operate the fan outside these speed ranges.
- ◆ Skip over these speed ranges.
- ◆ Pass through these speed ranges so quickly that any vibration cannot exceed the admissible resonant frequency values.
- ◆ Observe the operating instructions of the frequency converter.



Caution

Damage as a result of incorrect commissioning of the frequency converter.

- ◆ Install the fan and frequency converter as near as possible to one another.
- ◆ Use shielded cables.
- ◆ All components (fan, frequency converter and motor) must be grounded.
- ◆ We recommend using all-pole sinus filters.
- ◆ Avoid running the fan via the frequency converter below 10 Hz.
- ◆ If controlling the fans via a frequency converter, provide thermal protection in the form of a PTC resistor or thermal contacts (TC) in the motor.

10 Commissioning

10.1 Safety information

- ◆ Commissioning may only be carried out by adequately qualified persons, details see Table 1 *Qualifications*, page 6.
- ◆ Wear protective equipment during all work in the vicinity of the fan, details see 2.2 *Personal protective equipment*, page 6.

10.2 Preconditions

- ◆ Installation and electrical connection have been correctly performed.
- ◆ Residual material from installation and foreign objects have been removed from the fan and ducts.
- ◆ Inlet and outlet are free.
- ◆ Safety devices have been fitted.
- ◆ Ground cable is connected.
- ◆ Cable glands are tight.
- ◆ Nominal current (from the name plate) is not exceeded.
- ◆ Data on the name plate corresponds with the connection data.

10.3 Commissioning Report

Important

- It is recommended to fill out the commissioning report 17 *Commissioning Report*, page 21.
- Please keep the completed commissioning report in a safe place. In the case of a warranty claim, this report can be requested by Systemair GmbH. This document can also be downloaded from our online catalogue.

10.4 Tests before activation

- ◆ Check that safety elements and protection grilles are securely fastened.

10.5 Tests (AC motor)

1. Before switching the fan on, check for externally visible damage and ensure that the protective equipment functions properly.
2. Switch the fan on.
3. Checks:
 - ◆ Direction of rotation/conveyance. The direction of rotation always applies looking at the rotor
 - The direction of rotation is best observed just before the fan stops.
 - ◆ Smooth running (any vibrations and noise)
 - ◆ Current consumption
 - ◆ Compare the current consumption with the nominal consumption on the name plate.
 - ◆ Tightness of all connections
4. Switch the fan off.

10.6 Tests (EC motor)

1. Before switching the fan on, check for externally visible damage and ensure that the protective equipment functions properly.
When the mains are switched on, the motor starts an initialization (a few seconds). After the initialization the control input is active.
2. Switch the fan on via the control input.
3. Checks:
 - ◆ Direction of rotation/conveyance. The direction of rotation always applies looking at the rotor
 - The direction of rotation is best observed just before the fan stops.
 - ◆ Smooth running (any vibrations and noise)
 - ◆ Current consumption
 - ◆ Compare the current consumption with the nominal consumption on the name plate.
 - ◆ Tightness of all connections
4. Switch the fan off via the control input.

11 Operation

11.1 Safety information

Warning: Hazard from electrical voltage or moving components.

- ◆ The device may only be operated by adequately qualified persons, details see Table 1 *Qualifications*, page 6.
- ◆ The device may only be operated by people who are instructed in and have understood the function and risks, and can act accordingly.
- ◆ Abide by the system-related conditions and requirements of the system manufacturer or plant constructor.

11.2 Preconditions

- ◆ Ensure access only to persons who can safely handle the device.
- ◆ Only use the fan in accordance with the operating instructions and the operating instructions for the motor.
- ◆ Do not dismantle or circumvent safety elements, or put them out of function.

12 Troubleshooting/maintenance/repair

12.1 Safety information

- ◆ Troubleshooting/maintenance/repair may only be carried out by adequately qualified persons, details see Table 1 *Qualifications*, page 6.
- ◆ Wear protective equipment during all work in the vicinity of the fan, details see 2.2 *Personal protective equipment*, page 6.
- ◆ Observe the 5 rules of electrical safety, see 2.3 *5 rules of electrical safety*, page 6.
- ◆ Abide by the system-related conditions and requirements of the system manufacturer or plant constructor.
- ◆ The rotor must be at a standstill.

12.2 Troubleshooting

Table 7 Troubleshooting

Problem	Possible causes	Remedy
Fan does not run smoothly	Rotor imbalance	Rebalancing by a specialist company
	Soiling on the rotor	Clean carefully, rebalance
	Material decomposition on the rotor due to aggressive material conveyed	Contact Systemair
	Rotor rotates in wrong direction	Change direction of rotation if possible, otherwise contact Systemair
	Deformation of rotor due to excessive temperature	Ensure that the temperature does not exceed the certified value/Install new rotor
	Vibrations, oscillations	Check the installation of the fan/check the duct system, see 8 <i>Installation</i> , page 11
Air output of fan too low	Rotor rotates in wrong direction	Change direction of rotation if possible, otherwise contact Systemair
	Wrong wiring configuration (e.g. Y instead of Delta)	Check and possibly correct the wiring configuration
	Pressure losses too high	Optimize the line routing
	Flow regulators not or only partly open	Check opening position on site
	Intake or pressure ducts are blocked	Remove the blockage
Grinding sounds when starting or operating the fan	Check if the duct connection (inlet side) of the fan is strained	Loosen the duct connection (inlet side) and realign it.
Thermal contacts/resistors have triggered	Rotor rotates in wrong direction	Change direction of rotation if possible, otherwise contact Systemair
	Missing phase	In case of a 3 phase standard motor (not EC), check if all 3 phase are present
	Motor overheated	Check the cooling impeller (if used), measure the motor winding (if possible) / contact Systemair
	Capacitor (if used) not or not correctly connected.	Connect the capacitor correctly
	Motor blocked	Contact Systemair

Troubleshooting cont'd

Problem	Possible causes	Remedy
Fan does not reach nominal speed	Defective motor winding	Contact Systemair
	Improperly aligned drive motor	Contact Systemair
	Control units (if used) such as frequency converter or transformer are set incorrectly.	Correct the settings of the control units.
	Mechanical blockage	Remove the blockage
Motor does not rotate	Faulty supply voltage	Check the supply voltage, re-establish the voltage supply
	Faulty connection	Disconnect from the power supply, correct the connection, see circuit diagram.
	Temperature monitor has responded	Allow the motor to cool down, find and resolve the cause of the fault.
Electronics/motor overheated	Insufficient cooling	Improve cooling.
	Overloaded motor	Check if the correct fan is used for your application.
	Ambient temperature too high	Check if the correct fan is used for your application.



Note:

For all other damage/defects, please contact Systemair. Defective fans must be completely replaced.

12.3 Maintenance

To ensure a reliable operation of the fan, we recommend periodic maintenance intervals. These maintenance intervals must be specified by the operator. The frequency of maintenance activities or additional activities must be decided according to the use of the fans. It is important for traceability to create a maintenance plan, in which the work performed is written down.

The maintenance intervals should be shorter if the following conditions (among others) apply:

- Fan used as kitchen exhaust application
- Ambient temperature > 40°C or < -10°C, or temperature variations > 20k

The following check list provides points of reference for the tasks to be carried out.

Table 8 Activities

Activity	As required	Periodic intervals
Check the fan and components for visible damage, corrosion and contamination		X
Inspect the the rotor for damage and imbalance		X
Check that the condensate drain functions correctly		X
Clean the fan/ventilation system (see Chapter Cleaning)	X	
Inspect screwed connections and tighten them if necessary		X
Ensure that the intake of the fan is free from dirt		X
Check that fan and components are being used as intended	X	
Check the current consumption		X
Check that the vibration dampers function correctly (if used)		X
Check that the electrical and mechanical protective devices function correctly		X
Check if the name plate of the fan is legible		X

Activities cont'd

Check that connection terminals and cables glands are tightly screwed and have no visible damage/defects	X	
Check flexible connections for leaks		X



Note:

If you have questions, please contact Systemair. Defective fans must be completely replaced.

12.4 Spare parts

- ◆ Use original spare parts from Systemair only.
- ◆ When ordering spare parts, please specify the serial number of the fan. This can be found on the name plate.

13 Cleaning

13.1 Safety information

- ◆ Cleaning may only be carried out by adequately qualified persons, details see Table 1 *Qualifications*, page 6.
- ◆ Wear protective equipment during all work in the vicinity of the fan, details see 2.2 *Personal protective equipment*, page 6.
- ◆ Observe the 5 rules of electrical safety, see 2.3 *5 rules of electrical safety*, page 6.
- ◆ Ensure that the power supply has been switched off (all-pole circuit breaker).
- ◆ Ensure that the rotor is at a standstill.

13.2 Procedure

Important

Keeping the fan clean extends its service life.

- ◆ Install a filter monitor.
- ◆ Do not use steel brushes or sharp-edged objects.
- ◆ Do not use a high-pressure cleaner (steam jet cleaner) under any circumstances.
- ◆ Do not bend the fan blades when cleaning.
- ◆ When cleaning the rotor, pay attention to balance weights that have been positioned
- ◆ Keep the airways of the fan clear and clean them if necessary with a brush.

14 Deinstallation/dismantling

Deinstall and dismantle the fan in reverse order of installation and electrical connection.

15 Disposal

- ◆ Ensure material is recycled. Observe national regulations.
- ◆ The device and the transport packaging are predominantly made from recyclable raw materials.
- ◆ Disassemble the fan into its components.
- ◆ Separate the parts according to:
 - reusable material
 - material groups to be disposed of (metal, plastics, electrical parts, etc.)

16 EU Declaration of conformity – Thermo fans

The manufacturer:	Systemair GmbH Seehöfer Straße 45 97944 Boxberg Germany
Product designation:	Thermo fans
Type designation:	AxZent; KBT; KBR; MUB-K; MUB/T; MUB/T-S; MUB/T EC; MUB/T-S EC; DVN; DVN EC; DVNI; DVNI
Since of manufacture:	2016

The manufacturer declares that the above mentioned products in their design and construction and the version marketed by us complies with the Harmonization legislation listed below:

EU directives:	2006/42/EC	Machinery directive
	2014/30/EU	Directive electromagnetic compatibility (EMC)
	2011/65/EU	RoHS directive

The following standards have been considered:

Harmonized standards:	DIN EN ISO 12100:2013	Safety of machinery - General principles for design Riskassessment and risk reduction
	DIN EN 60204-1:2010	Safety of machinery - Electrical equipment of machines - Part1: General requirements
	DIN EN 61000-6-1:2007	Electromagnetic compatibility (EMC) - Part 6-1: Generic standards - Immunity for residential, commercial and light-industrial environments
	DIN EN 61000-6-2:2011	Electromagnetic compatibility (EMC) - Part 6-2: Generic standards - Immunity for industrial environments

Boxberg, 20.04.2016



ppa. Harald Rudelgass, technical director

17 Commissioning Report

Fan

Description:	
Article no.:	Manufacturing order no.:

Installer

Company:	Contact person:
Company address:	
Tel. no.:	Email:

Operator (Place of installation)

Company:	Contact person:
Company address:	
Tel. no.:	Email:

Type of connection	Yes	No
Directly to mains	<input type="checkbox"/>	<input type="checkbox"/>
0-10 V signal (EC motor)	<input type="checkbox"/>	<input type="checkbox"/>
via contactor control	<input type="checkbox"/>	<input type="checkbox"/>
Transformer	<input type="checkbox"/>	<input type="checkbox"/>
Frequency converter	<input type="checkbox"/>	<input type="checkbox"/>
	Sinus filter	<input type="checkbox"/>
	Shielded cables	<input type="checkbox"/>

Motor protection	Yes	No
Motor protection switch or motor protection relay	<input type="checkbox"/>	<input type="checkbox"/>
PTC resistor	<input type="checkbox"/>	<input type="checkbox"/>
	Resistance value [Ω]:	
Thermal contact	<input type="checkbox"/>	<input type="checkbox"/>
Electrical motor protection	<input type="checkbox"/>	<input type="checkbox"/>
Others:		

Functional check	Yes	No
Impeller easily rotatable (by hand)	<input type="checkbox"/>	<input type="checkbox"/>
Rotation direction acc. to directional arrow	<input type="checkbox"/>	<input type="checkbox"/>

Nominal data - Fan (name plate on fan housing)

Voltage [V]:	Current [A]:
Frequency [Hz]:	Power [kW]:
Fan impeller speed [rpm]:	

Measured data at commissioning

Voltage [V]:	Temp. of transported air [°C]:
Current L1 [A]*:	Fan impeller speed [rpm]:
Current L2 [A]:	Air volume [m ³ /s]:
Current L3 [A]:	Differential pressure [Pa]*:

*For single-phase fans, fill in line "Current L1 [A]"

*Δ- Pressure between suction-side and discharge of the fan

If an air flow measurement is not possible, this value can be calculated using the following formula:

$$\text{Duct cross-section [m}^2\text{]} \times \text{Flow speed [m/s]} = \text{Air volume [m}^3\text{/s]:}$$

Grille measurement acc. to VDI 2044

	Yes	No
Commissioning of the fan successful?	<input type="checkbox"/>	<input type="checkbox"/>

Date, installer's signature

Date, operator's signature

Please keep the completed commissioning report in a safe place. In the case of a warranty claim, this report can be requested by Systemair GmbH. This document can also be downloaded from our online catalogue.

For technical questions, please contact the technical support division of Systemair GmbH (tel. +49 7930/9272 730).

© Copyright Systemair AB
Alle Rechte vorbehalten
E&OE

Systemair AB behält sich das Recht vor, seine Produkte ohne Vorankündigung zu ändern.
Dies gilt auch für bereits bestellte Produkte, sofern die vorher vereinbarten Spezifikationen nicht beeinflusst werden.

Inhaltsverzeichnis

1	Allgemeine Hinweise	27	9	Elektrischer Anschluss	36
1.1	Hinweissymbole	27	9.1	Sicherheitshinweise	36
1.1.1	Anleitungssymbole	27	9.2	Voraussetzungen	36
2	Sicherheitshinweise	27	9.3	Anschluss	37
2.1	Personal	28	9.4	Schutzerdungsleiter	37
2.2	Persönliche Schutzausrüstung	28	9.5	FI-Schutzschalter	37
2.3	Die 5 Sicherheitsregeln bei Arbeiten in und an elektrischen Anlagen	28	9.6	Motorschutz	37
3	Gewährleistung	28	9.7	Ventilatoren mit variabler Drehzahl	37
4	Lieferung, Transport, Lagerung	28	10	Inbetriebnahme	38
4.1	Sicherheitshinweise	28	10.1	Sicherheitshinweise	38
4.2	Lieferung	29	10.2	Voraussetzungen	38
4.3	Transport	29	10.3	Inbetriebnahmeprotokoll	38
4.3.1	Sicherheitshinweise	29	10.4	Tests vor der Aktivierung	38
4.4	Lagerung	29	10.5	Tests (AC-Motor)	38
5	Beschreibung	30	10.6	Testen Sie den Motor (EC-Motor)	39
5.1	AxZent ausgestattet mit EC- Motor	30	11	Betrieb	39
5.2	AxZent ausgestattet mit AC- Motor	30	11.1	Sicherheitshinweise	39
5.3	Luftstromrichtung	30	11.2	Voraussetzungen	39
5.4	Abmessungen	30	12	Fehlersuche/Fehlerbehebung/Wartung/ Reparatur	40
5.5	Technische Daten	31	12.1	Sicherheitshinweise	40
5.6	Daten des Motors	31	12.2	Fehlersuche	40
5.7	Bestimmungsgemäße Verwendung	31	12.3	Wartung	41
5.8	Bestimmungswidrige Verwendung	31	12.4	Ersatzteile	42
6	Typenschild und Typenschlüssel	32	13	Reinigung	42
7	Zubehör	33	13.1	Sicherheitshinweise	42
8	Installation	33	13.2	Vorgehensweise	42
8.1	Sicherheitshinweise	33	14	Demontage/Ausbau	42
8.2	Voraussetzungen	34	15	Entsorgung	42
8.3	Installationsvarianten	35	16	EU-Konformitätserklärung – Thermovenilatoren	44
8.4	Wellenverlängerungen	35	17	Inbetriebnahmeprotokoll	45
8.4.1	Stahlwellenverlängerung	35			
8.4.2	Rotor mit verschraubter Nabe aus Aluminium oder Stahl	36			
8.4.3	Rotor mit Spannbuchse	36			

1 Allgemeine Hinweise

1.1 Hinweissymbole



Gefahr

Unmittelbare Gefährdung

Die Nichtbeachtung des Warnhinweises führt unmittelbar zum Tod oder zu schweren Verletzungen.



Warnung

Potenzielle Gefahr

Die Nichtbeachtung des Warnhinweises kann zum Tod oder zu schweren Verletzungen führen.



Vorsicht

Gefährdung mit geringem Risiko

Die Nichtbeachtung des Warnhinweises kann zu mittelschweren Verletzungen führen.

Wichtig

Gefahr mit Risiko für Sachbeschädigungen

Die Nichtbeachtung des Warnhinweises kann zu Sachbeschädigungen führen.



Hinweis!

Nützliche Informationen und Anleitungen

1.1.1 Anleitungssymbole

Anleitung

- ◆ Führen Sie diese Handlung aus
- ◆ (ggf. weitere Handlungen)

Anleitung mit fester Schrittfolge

1. Führen Sie diese Handlung aus
2. Führen Sie diese Handlung aus
3. (ggf. weitere Handlungen)

2 Sicherheitshinweise

Planer, Anlagenbauer und Betreiber sind für die ordnungsgemäße Montage und den bestimmungsgemäßen Betrieb verantwortlich.

- ◆ Lesen Sie die Betriebsanleitungen vollständig und sorgfältig.
- ◆ Betriebsanleitungen und mitgeltende Unterlagen, wie elektrische Anschlussbilder oder Betriebsanleitungen des Motors, sind bei dem Ventilator aufbewahren. Sie müssen ständig am Einsatzort zur Verfügung stehen.
- ◆ Örtliche und nationale Gesetze und Regelungen sind zu beachten und einzuhalten.
- ◆ Der Ventilator darf nur in einwandfreiem Zustand verwendet werden.
- ◆ Es müssen die allgemein vorgeschriebenen elektrischen und mechanischen Schutzvorrichtungen bereitgestellt werden.
- ◆ Sichern Sie während der Montage, elektrischem Anschluss, Inbetriebnahme, Fehlersuche, Fehlerbehebung und Wartung die Montagestelle und die Räumlichkeiten für vor Zutritt von Unbefugten.
- ◆ Sicherheitseinrichtungen dürfen weder demontiert, noch umgangen oder außer Funktion gesetzt werden.
- ◆ Sorgen Sie dafür, dass alle Warnschilder auf dem Ventilator vollständig und lesbar sind.
- ◆ Dieses Gerät ist nicht für den Gebrauch durch Personen (einschließlich Kinder) mit eingeschränkten körperlichen oder geistigen Fähigkeiten oder ohne Erfahrung und Vorkenntnisse bestimmt, es sei denn, diese Personen wurden von einer für ihre Sicherheit verantwortlichen Person in den Gebrauch des Geräts unterwiesen.
- ◆ Kinder dürfen nicht mit dem Gerät spielen.

2.1 Personal

Der Ventilator darf nur von qualifiziertem, eingewiesenen und geschultem Personal betrieben werden. Diese Personen müssen die einschlägigen Sicherheitsvorschriften kennen, um mögliche Gefahren zu erkennen und zu vermeiden. Die einzelnen Handlungen und Qualifikationen sind unter Tabelle 1 *Qualifikation*, Seite 28 nachzusehen.

Tabelle 1 Qualifikation

Handlungen	Elektrofachkraft oder Personen mit entsprechender Qualifikation	Montagefachkraft oder Personen mit entsprechender Qualifikation	Geschultes Personal (s. folgende Hinweise)
Lagerung, Betrieb, Transport, Reinigung, Entsorgung			X
Elektrischer Anschluss, Inbetriebnahme, elektrische Trennung	X		
Installation, Demontage		X	
Wartung	X	X	
Reparieren	Entrauchungsventilatoren und EX-Ventilatoren nur in Absprache mit Systemair.		



Hinweis!

Der Betreiber hat sicherzustellen, dass das Personal in die Bedienung unterwiesen wurde und die Betriebsanleitung verstanden hat. Bei Unklarheiten wenden Sie sich bitte an Systemair oder an unsere Vertreter.

2.2 Persönliche Schutzausrüstung

Bei jeglichen Arbeiten im Umfeld des Ventilators ist die Schutzausrüstung zu tragen.

- Schutzkleidung
- Schutzhandschuhe
- Schutzbrille
- Sicherheitsschuhe
- Schutzhelm
- Gehörschutz

2.3 Die 5 Sicherheitsregeln bei Arbeiten in und an elektrischen Anlagen

- Freischalten (allpoliges Trennen einer elektrischen Anlage von spannungsführenden Teilen)
- Gegen Wiedereinschalten sichern
- Spannungsfreiheit feststellen
- Erden und Kurzschließen
- Benachbarte, unter Spannung stehende Teile abdecken oder abschränken

3 Gewährleistung

Die Gewährleistung für unsere Produkte richtet sich nach den Vertragsbestimmungen, unseren Angeboten sowie unseren allgemeinen Geschäftsbedingungen. Für die Geltendmachung von Gewährleistungsansprüchen müssen die Produkte ordnungsgemäß angeschlossen sowie gemäß den Datenblättern betrieben, genutzt und gewartet werden. Zudem muss auf Nachfrage das korrekt ausgefüllte Inbetriebnahmeprotokoll vorgelegt werden. Das Inbetriebnahmeprotokoll befindet sich im Lieferumfang des Produkts.

4 Lieferung, Transport, Lagerung

4.1 Sicherheitshinweise

Warnhinweis: Gefahr durch rotierende Ventilatorblätter

- ◆ Verhindern Sie den Zutritt unbefugter Personen durch Sicherheitspersonal oder einen Zugangsschutz.

Warnhinweis: Schwebenden Lasten

- ◆ Bei jeglichen Arbeiten im Umfeld des Ventilators ist die Schutzausrüstung zu tragen, s. 2.2 *Persönliche Schutzausrüstung*, Seite 28.
- ◆ Niemals unter schwebende Last treten.
- ◆ Es ist sicherzustellen, dass sich niemand unter einer schwebende Last befindet.

4.2 Lieferung

Jeder Ventilator verlässt unser Werk in elektrisch und mechanisch einwandfreiem Zustand. Es wird empfohlen, den Ventilator bis zur Montagestelle original verpackt zu transportieren.

Lieferung prüfen

- ◆ Überprüfen Sie die Verpackung auf Transportschäden. Jeder Schaden ist im Ladungsverzeichnis zu vermerken.
- ◆ Kontrollieren Sie, ob die Lieferung vollständig ist.

Auspacken**Warnung**

Beim Entfernen der Transportverpackung besteht die Gefahr der Beschädigung durch scharfe Kanten, Nägel, Klammern, Splitter usw.

- ◆ Entpacken Sie den Ventilator vorsichtig.
- ◆ Überprüfen Sie den Ventilator auf offensichtliche Transportschäden.
- ◆ Entfernen Sie die Verpackung erst kurz vor der Montage.
- ◆ Bei jeglichen Arbeiten im Umfeld des Ventilators ist die Schutzausrüstung zu tragen, s. 2.2 *Persönliche Schutzausrüstung*, Seite 28.

4.3 Transport**4.3.1 Sicherheitshinweise****Warnhinweis: Elektrische oder mechanische Gefährdung durch Feuer, Feuchtigkeit, Kurzschluss oder Fehlfunktion.**

- ◆ Der Ventilator darf niemals am Anschlusskabel, Anschlusskasten, Laufrad, Schutzgitter, Einströmstutzen oder Schalldämpfer getragen werden.
- ◆ Stellen Sie bei einem offenen Transport sicher, dass kein Wasser in den Motor oder andere empfindliche Komponenten eindringen kann.
- ◆ Es wird empfohlen, den Ventilator bis zur Montagestelle original verpackt zu transportieren.

Vorsicht: Unvorsichtiges Auf- oder Abladen kann zu Beschädigungen des Ventilators führen.

- ◆ Führen Sie das Auf- oder Abladen sorgfältig durch.
- ◆ Verwenden Sie eine auf die Last ausgelegte Hebeausrüstung.
- ◆ Beachten Sie die Transportpfeile auf der Verpackung.
- ◆ Die Verpackung dient ausschließlich als Transportschutz und darf nicht zum Anheben verwendet werden.

4.4 Lagerung

- ◆ Lagern Sie den Ventilator in der Originalverpackung an einem trockenen, staubfreien Ort, der vor Witterungseinflüssen geschützt ist.
- ◆ Vermeiden Sie extreme Hitze- oder Kälteeinwirkung.

Wichtig**Gefährdung durch Funktionsverlust des Motorlagers**

- ◆ Zu lange Lagerzeiträume vermeiden (Empfehlung: max. 1 Jahr).
- ◆ Drehen Sie den Rotor alle drei Monate per Hand - Schutzhandschuhe tragen.
- ◆ Überprüfen Sie vor der Installation, ob das Motorlager korrekt funktioniert.

5 Beschreibung

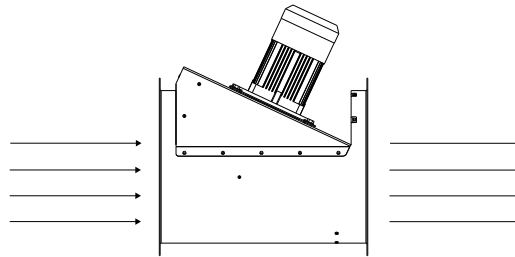
5.1 AxZent ausgestattet mit EC-Motor

Die Ventilatoren werden über EC-Motor angetrieben. Die Ventilatoren sind mit einem Potentiometer (0-10V) ausgestattet, über das der Betriebspunkt direkt eingestellt werden kann. Alle Motoren sind für 50/60 Hz geeignet. Die Eingangsspannung für einphasige Geräte liegt im Bereich 200 und 277 V, bei dreiphasigen Geräten beträgt die Eingangsspannung 380 und 480 V. Alle Modelle verfügen über einen potenzialfreien Anschluss für die Fehlermeldung.

5.2 AxZent ausgestattet mit AC-Motor

Weitere Optionen zur Drehzahlregelung, s. 6 Typenschild und Typenschlüssel, Seite 32

5.3 Luftstromrichtung



5.4 Abmessungen

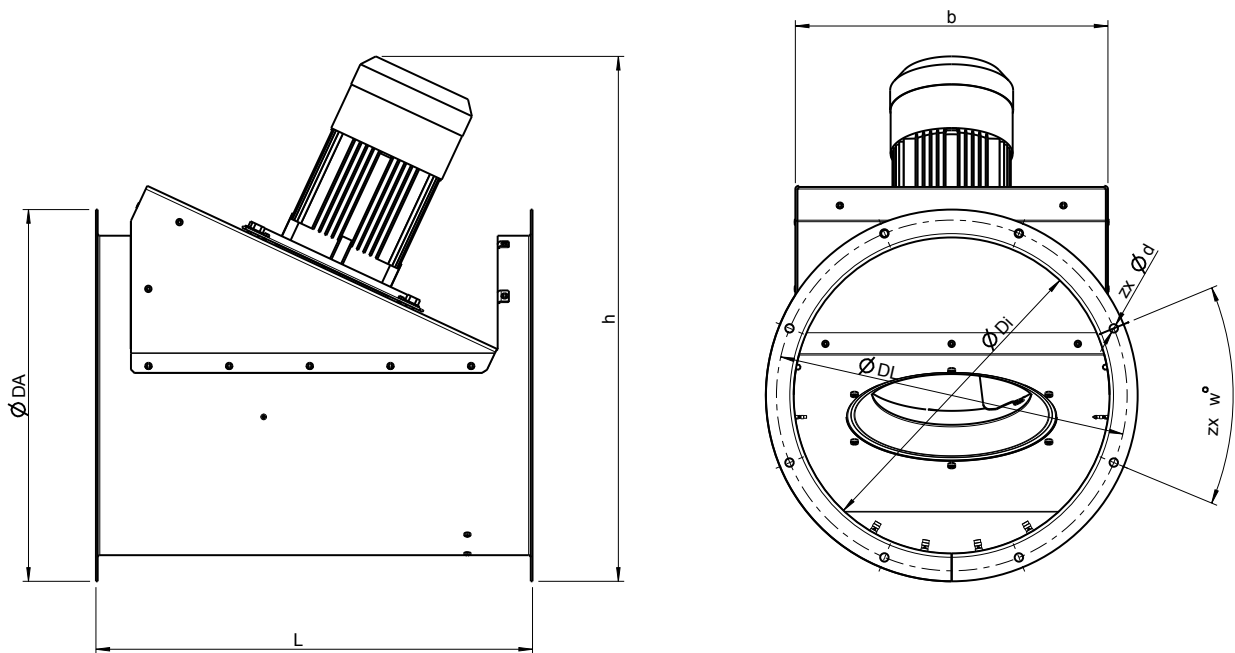


Tabelle 2 Abmessungen AxZent [mm]

Größe	L	ØDa	b	ØDi	ØDL	z x w	z x Ød
400	585,7	480	391,7	400,5	450	8 x 45°	8 x Ø12
450	622,5	530	445,7	450,5	500,4	8 x 45°	8 x Ø12
500	720	590	495,7	500,5	560	12 x 30°	12 x Ø12
560	795	650	558	560,5	620	12 x 30°	12 x Ø12
630	825	720	629,7	630,5	690	12 x 30°	12 x Ø12

Tabelle 3 Axzent Maß h

400	D2: 722,5 mm / DV: 637,5 mm / E4: 653,80 mm / EC: 635 mm	560	D4: 808,4 mm / E4: 815 mm / EC: 795 mm
450	D2: 748,4 mm / DV: 662,9 mm / E4: 679,2 mm / EC: 660 mm	630	D4: 898 mm / E4: 898 mm / EC: 899 mm
500	DV: 727,7 mm / E4: 7442 mm / EC: 746 mm		

5.5 Technische Daten

- Temperaturbereich [°C] Medium = -20 bis 120 (Maximalbereich. Siehe Datenblatt für den Temperaturbereich des jeweiligen Ventilators.)
- Spannung/Strom/Schutzklasse/Gewicht/Rotordurchmesser = siehe Typenschild
- Schalldruckpegel [dB(A)] = s. Datenblatt

5.6 Daten des Motors

Die Motordaten befinden sich auf dem Typenschild des Motors oder in der technischen Dokumentation des Motorenherstellers.

5.7 Bestimmungsgemäße Verwendung

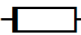
- Die Ventilatoren sind zum Einbau in Lüftungstechnische Anlagen vorgesehen. Die Ventilatoren können sowohl in ein Kanalsystem als auch frei ansaugend über Einströmstutzen und einem saugseitigen Berührschutzgitter eingebaut werden. Frei ausblasend über Berührschutzgitter ist ebenfalls möglich.
- Der Ventilator ist geeignet für die Beförderung von verschmutzter Luft (Staub, Küchenabluft) mit einer Dichte von 1,3 kg/m³ und einer max. Luftfeuchte von 95%.
- Die maximal zulässigen Betriebsdaten auf dem Typenschild gelten für eine Luftdichte = 1,2 kg/m³ (Meereshöhe) und eine maximale Luftfeuchtigkeit von 80%.




5.8 Bestimmungswidrige Verwendung


Eine unsachgemäße Verwendung liegt hauptsächlich dann vor, wenn der Ventilator anders als beschrieben genutzt wird. Folgende Anwendungen sind bestimmungswidrig und gefährlich:

- Fördern von explosiven und brennbaren Medien
- Fördern von aggressiven Medien
- Betrieb in explosionsfähiger Umgebung
- Betrieb ohne Kanalsystem oder Schutzgitter
- Betrieb mit verschlossenen Luftanschlüssen
- Außenmontage ohne Wetterschutz

6 Typenschild und Typenschlüssel

1	AxZent 400EC								
2	230 V~	0,78 A		50 Hz					
3			183 W						
4	tF=120°C								
5	IP55	1510 min ⁻¹		34,5kg					
6	INS.CL.B								
7	Serial.no: 37748/1003338357-001/20171120								

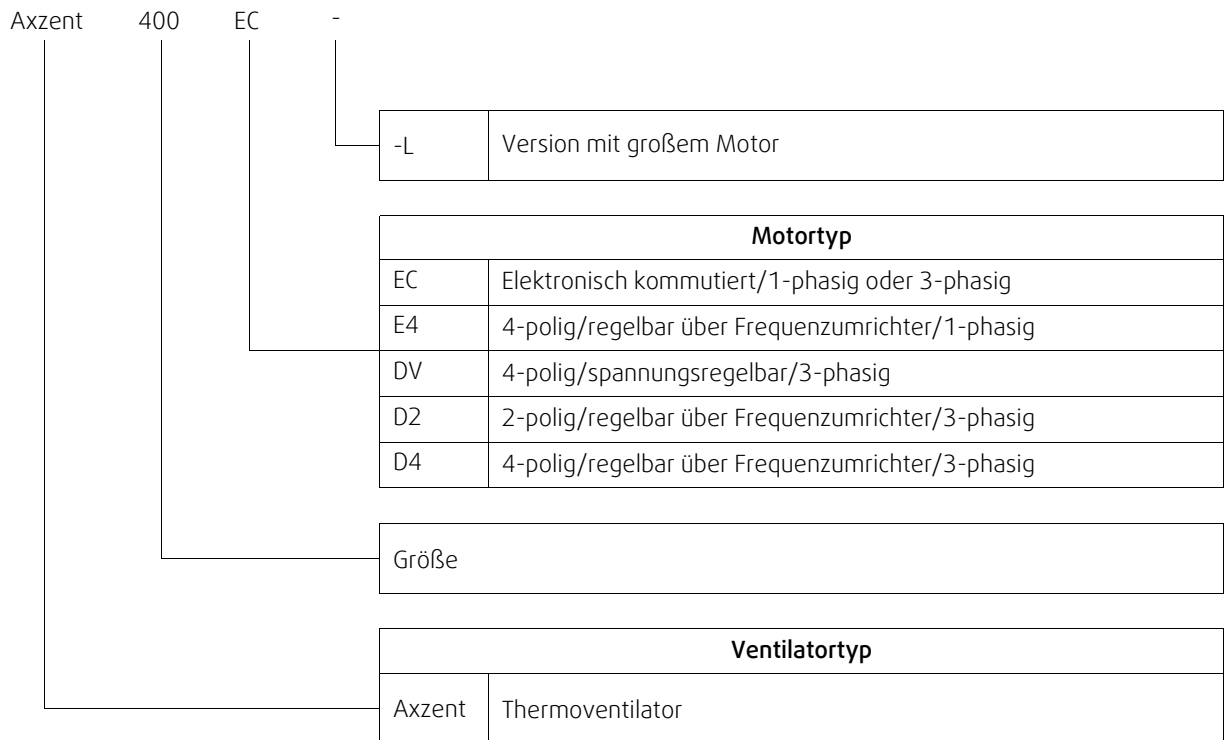



8



Made in GERMANY

- | | | | |
|---|--------------------------------------|---|---|
| 1 | Typbezeichnung | 5 | Schutzklasse/Drehzahl/Gewicht |
| 2 | Spannung/Stromstärke/Frequenz | 6 | Isolationsklasse |
| 3 | Eingangsspannung | 7 | Artikelnummer/Produktionsnummer/Fertigungsdatum |
| 4 | Max. Temperatur der geförderten Luft | 8 | Zertifizierungen |

Tabelle 4 Typenschlüssel



7 Zubehör



Hinweis!

Für weitere Informationen zum Zubehör sehen Sie in unserem Online-Katalog nach oder wenden Sie sich an Systemair.

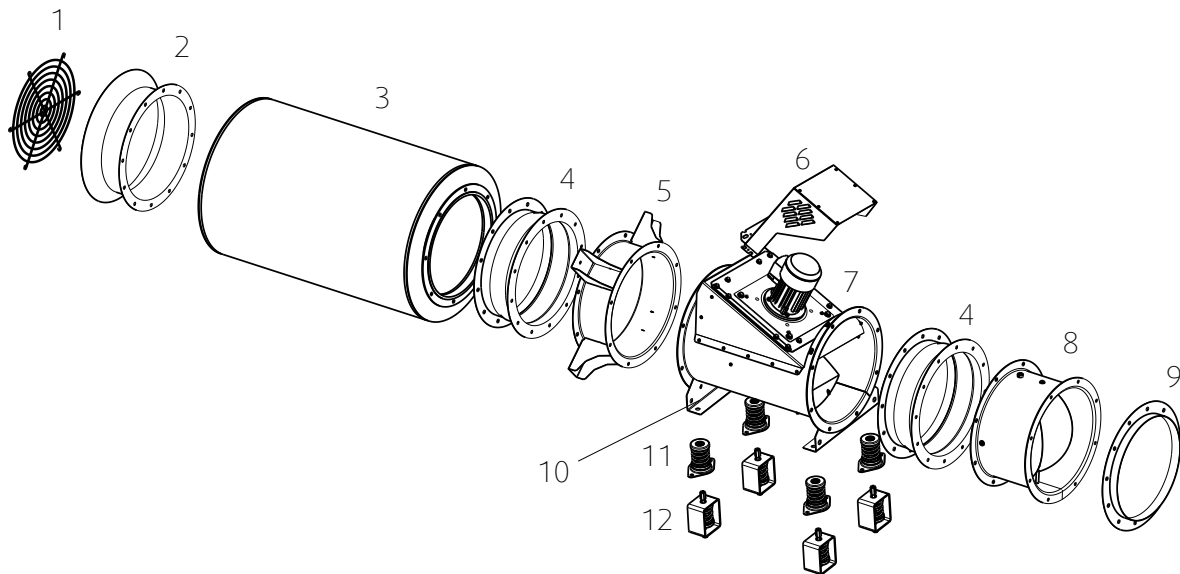


Tabelle 5 Zubehör

1	SG	Schutzgitter	7	Axzent	Ventilator
2	ESD-F	Einströmstutzen	8	LRK	Rückschlagklappe
3	RSA	Schalldämpfer	9	GFL	Gegenflansch
4	EVH	Flexible Verbinder	10	MFA	Montagefüße
5	MPR	Montagering	11	FSD	Federschwingungsdämpfer
6	WSD	Wetterschutzdach	12	ZSD	Zug-Federschwingungsdämpfer

8 Installation

8.1 Sicherheitshinweise

Warnhinweis: Stoßgefahr durch herabfallenden Ventilator oder Ventilatorteile.

- ◆ Überprüfen Sie vor der Installation die Oberfläche auf Tragfähigkeit.
- ◆ Berücksichtigen Sie bei der Auswahl der Hebeausrüstung und der Befestigungsteile alle statischen und dynamischen Lasten.

Allgemeine Sicherheitshinweise

- ◆ Die Installation darf nur von entsprechend qualifizierten Personen ausgeführt werden, Einzelheiten, s. Tabelle 1 *Qualifikation*, Seite 28.
- ◆ Bei jeglichen Arbeiten im Umfeld des Ventilators ist die Schutzausrüstung zu tragen, s. 2.2 *Persönliche Schutzausrüstung*, Seite 28.
- ◆ Berücksichtigen Sie die anlagenrelevanten Bedingungen und Anforderungen des Anlagenherstellers oder Anlagenbauers.
- ◆ Sicherheitseinrichtungen dürfen weder demontiert, noch umgangen oder außer Funktion gesetzt werden.
- ◆ Bewegen Sie das Laufrad des Ventilators von Hand bevor Sie ihn einbauen, um seinen Freilauf zu prüfen.
- ◆ Sehen Sie Berührungs-, Ansaugschutz und Sicherheitsabstände gemäß DIN EN ISO13857 und DIN 24167-1 vor.
- ◆ Verhindern Sie ein Einsaugen von Fremdpartikeln.

- ◆ Damit eine Schwingungsübertragung auf das Kanalsystem vermieden wird, empfehlen wir die Verwendung der flexiblen Verbinder aus unserem Zubehör, s. Kapitel Zubehör.

8.2 Voraussetzungen

- ◆ Stellen Sie sicher, dass der Ventilator und alle seine Komponenten unbeschädigt sind.
- ◆ Stellen Sie sicher, dass die Angaben auf dem Typenschild (Ventilator und Motor) mit den Betriebsbedingungen übereinstimmen.
- ◆ Stellen Sie sicher, dass ausreichend Platz für die Montage des Ventilators vorhanden ist.
- ◆ Bei der Montage ist das Gerät vor Staub und Feuchtigkeit zu schützen.
- ◆ Montieren Sie die Ventilatoren so, dass ausreichend Zugang für Fehlersuche, Wartungs- und Reparaturarbeiten vorhanden ist.

Wichtig

Es besteht das Risiko der Beschädigung der Lager oder von Ventilatorteilen.

- ◆ Ein Kanalbogen darf nicht direkt vor oder nach dem Ventilator angeordnet werden!
- ◆ Ein gleichmäßiger und konstanter Luftstrom zum Gerät ist sicherzustellen. Eine freie Fortluft ist sicherzustellen. Siehe Bild 1 *Gerade Kanäle*, Seite 34.

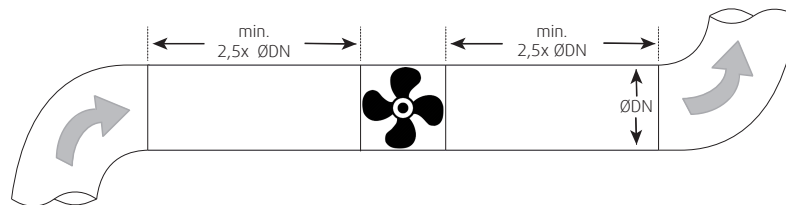


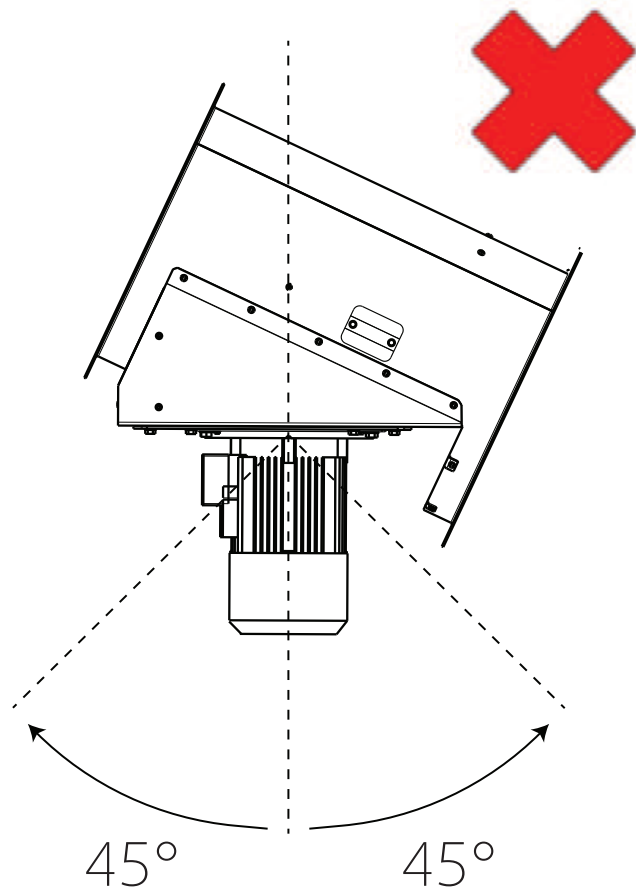
Bild 1 Gerade Kanäle

8.3 Installationsvarianten

Wichtig

Schmutzablagerungen

- ◆ Um Schmutzablagerungen im Ventilator zu vermeiden, darf er nicht nach unten ausgerichtet werden. Aus diesem Grund müssen die Montagepositionen, wie in nebenstehenden Bild gezeigt, vermieden werden.



8.4 Wellenverlängerungen

Wichtig

Beschädigung des Motors und des Laufrads.

Die Kugellager des Motors und das gewuchtete Laufrad können durch gewaltsame Einwirkungen beschädigt werden.

- ◆ Befestigen Sie den Rotor und bzw. oder die Wellenverlängerungen ohne gewaltsame Einwirkungen an der Welle oder dem Rotor.



Hinweis!

Die Nabe kann für eine einfachere Montage und Demontage erhitzt werden, z.B. mit einem Heißluftgebläse.

- Voraussetzung für die Montage: Der Keil liegt richtig in der dafür vorgesehenen Nut.
- Werkzeuge: Passender Sechskantschlüssel und geeignetes Abziehwerkzeug, Drehmomentschlüssel für die Spannbuchse.

8.4.1 Stahlwellenverlängerung

8.4.1.1 Demontage

1. Lösen Sie die Schrauben der Hülse mit dem Sechskantschlüssel.
2. Lösen Sie die Schraube an der Vorderseite der Motorwelle mit dem Sechskantschlüssel.
3. Ziehen Sie die Wellenverlängerung mit dem Abziehwerkzeug ab.

8.4.1.2 Montage

1. Setzen Sie die Wellenverlängerung so ein, dass sich die Hülse über Wellenverlängerung und Motorwelle befindet.
2. Ziehen Sie die Schrauben der Hülse mit dem Sechskantschlüssel an.
3. Ziehen Sie die Schraube an der Vorderseite der Motorwelle mit dem Sechskantschlüssel an.
4. Ziehen Sie die Schrauben der Hülse mit dem Sechskantschlüssel so fest an, dass sie auf den Keil der Welle drücken.

8.4.2 Rotor mit verschraubter Nabe aus Aluminium oder Stahl

8.4.2.1 Demontage

1. Lösen Sie die Schrauben der Nabe mit dem Sechskantschlüssel.
2. Ziehen Sie das Laufrad mit dem Abziehwerkzeug an der vorgesehenen Stelle ab.

8.4.2.2 Montage

1. Setzen Sie den Rotor mit der Aluminium- oder Stahlnabe ohne Krafteinwirkung auf die Welle auf.
2. Ziehen Sie die Schrauben der Nabe mit dem Sechskantschlüssel an.

8.4.3 Rotor mit Spannbuchse

8.4.3.1 Demontage

1. Lösen Sie die zwei gegenüberliegenden Schrauben mit dem Sechskantschlüssel.
2. Schrauben Sie eine Schraube in die mittlere der drei Gewindebohrungen und ziehen Sie die Spannbuchse von der Welle ab.

8.4.3.2 Montage

1. Setzen Sie die Spannbuchse in das Laufrad ein.
2. Ziehen Sie die zwei gegenüberliegenden Schrauben leicht an.
3. Setzen Sie den Rotor ohne Krafteinwirkung auf die Welle auf.
4. Ziehen Sie die beiden Schrauben gleichmäßig mit dem Drehmomentschlüssel an. Anzugsmoment, s. Tabelle 6.

Tabelle 6 Anzugsdrehmomente für verschiedene Buchsentyten

Buchsentyt	1008	1108	1210	1215	1310	1610	1615	2012	2517	3020
Anzugsmomente [Nm]	5,7	5,7	20	20	20	20	20	31	49	92

9 Elektrischer Anschluss

9.1 Sicherheitshinweise

Warnhinweis: Gefährdung durch elektrische Spannung!

- ◆ Die 5 Sicherheitsregeln sind einzuhalten, s. 2.3 *Die 5 Sicherheitsregeln bei Arbeiten in und an elektrischen Anlagen*, Seite 28.
- ◆ Verhindern Sie das Eindringen von Wasser in den Anschlusskasten.
- ◆ Der elektrische Anschluss darf nur von entsprechend qualifizierten Personen ausgeführt werden, Einzelheiten s. Tabelle 1 *Qualifikation*, Seite 28.
- ◆ Örtliche und nationale Gesetze und Regelungen sind zu beachten und einzuhalten.
- ◆ Bei jeglichen Arbeiten im Umfeld des Ventilators ist die Schutzausrüstung zu tragen, s. 2.2 *Persönliche Schutzausrüstung*, Seite 28

9.2 Voraussetzungen

- ◆ Berücksichtigen Sie die anlagenrelevanten Bedingungen und Anforderungen des Anlagenherstellers oder Anlagenbauers.
- ◆ Sicherheitseinrichtungen dürfen weder demontiert, noch umgangen oder außer Funktion gesetzt werden.

- ◆ Installieren Sie bei der Elektroinstallation dauerhaft einen Sicherungsautomaten (allpolige Kontaktöffnung mind. 3 mm).

9.3 Anschluss

- ◆ Prüfen Sie, ob die Daten auf dem Typenschild mit den Anschlussdaten übereinstimmen.
- ◆ Führen Sie den elektrischen Anschluss gemäß Schaltplan aus.
- ◆ Verlegen Sie die Anschlusskabel so in den Anschlusskasten, dass dessen Abdeckung ohne Widerstand geschlossen werden kann.
- ◆ Verwenden Sie alle Sicherungsschrauben.
- ◆ Setzen Sie die Schrauben per Hand ein, damit das Gewinde nicht beschädigt wird.
- ◆ Ziehen Sie alle Schrauben fest an, um die IP-Schutzart zu gewährleisten.
- ◆ Schrauben Sie den Deckel des Anschlusskastens/Revisionsschalters gleichmäßig fest.
- ◆ Schließen Sie das Kabelende in einer trockenen Umgebung an.

9.4 Schutzerdungsleiter

Der Querschnitt des Schutzerdungsleiters muss gleich oder größer als der Phasenquerschnitt betragen.

9.5 FI-Schutzschalter

Für den Einsatz in Wechselstromsystemen mit 50/60 Hz sind in Verbindung mit elektronischen Geräten wie EC-Motoren, Frequenzumrichtern oder unterbrechungsfreien Stromversorgungen (USV) allstromsensitive Fehlerstromschutzschalter erforderlich.

9.6 Motorschutz



Hinweis!

Ventilatoren mit EC-Motor erfordern keinen zusätzlichen Motorschutz. Der Motorschutz ist in die Motorelektronik integriert.

Wichtig

Motorschäden durch Überspannung, Überlast oder Kurzschluss.

- ◆ Es sind allpolige Leitungsschutzschalter (Auslösecharakteristik C oder K) oder Motorschutzschalter zu verwenden.
- ◆ Thermokontakte oder der Kaltleiter sind immer an einen Motorschutz anzuschließen.

9.7 Ventilatoren mit variabler Drehzahl



Warnung

Bei bestimmten Drehzahlen können erhöhte Schwingungen Resonanzfrequenzen verursachen. Diese Schwingungen können Bauteile zerstören.

- ◆ Betreiben Sie den Ventilator nur außerhalb dieser Drehzahlbereiche.
- ◆ Überspringen Sie diese Drehzahlbereiche.
- ◆ Lassen Sie diese Drehzahlbereiche so schnell durchlaufen, dass keine Schwingung die Werte für die Resonanzfrequenz überschreiten kann.
- ◆ Die Betriebsanleitung des Frequenzumrichters ist einzuhalten.



Vorsicht

Schäden infolge einer falschen Inbetriebnahme des Frequenzumrichters.

- ◆ Ventilator und Frequenzumrichter sind so nah wie möglich zueinander zu installieren.
- ◆ Verwenden Sie abgeschirmte Kabel.
- ◆ Alle Bauteile (Ventilator, Frequenzumrichter und Motor) müssen geerdet werden.
- ◆ Wir empfehlen die Verwendung eines allpoligen Sinus-Filters.
- ◆ Der Ventilatorbetrieb mit Frequenzumrichter unter 10 Hz ist zu vermeiden.
- ◆ Wenn der Ventilator über einen Frequenzumrichter geregelt wird, sind ein thermischer Schutz (PTC) oder Kaltleiter (PTC) im Motor vorzusehen.

10 Inbetriebnahme

10.1 Sicherheitshinweise

- ◆ Die Inbetriebnahme darf nur von entsprechend qualifizierten Personen ausgeführt werden, Einzelheiten, s. Tabelle 1 *Qualifikation*, Seite 28.
- ◆ Bei jeglichen Arbeiten im Umfeld des Ventilators ist die Schutzausrüstung zu tragen, s. 2.2 *Persönliche Schutzausrüstung*, Seite 28.

10.2 Voraussetzungen

- ◆ Montage und elektrischer Anschluss sind fachgerecht abgeschlossen.
- ◆ Restmaterial von der Installation und Fremdkörper wurden aus dem Ventilator und den Kanälen entfernt.
- ◆ Ein- und Auslass sind frei.
- ◆ Die Sicherheitsvorrichtungen wurden angebracht.
- ◆ Das Erdungskabel ist angeschlossen.
- ◆ Die Kabelverschraubungen wurden fest angezogen.
- ◆ Der Nennstrom (siehe Typenschild) wird nicht überschritten.
- ◆ Die Daten auf dem Typenschild entsprechen den Anschlussdaten.

10.3 Inbetriebnahmeprotokoll

Wichtig

- Es wird empfohlen, das Inbetriebnahmeprotokoll auszufüllen 17 *Inbetriebnahmeprotokoll*, Seite 45.
- Das vollständige Inbetriebnahmeprotokoll ist an einem sicheren Ort aufzubewahren. Im Gewährleistungsfall kann das Inbetriebnahmeprotokoll von Systemair GmbH angefordert werden. Dieses Dokument kann auch in unserem Online-Katalog heruntergeladen werden.

10.4 Tests vor der Aktivierung

- ◆ Prüfen Sie, ob die Sicherheitsvorrichtungen oder Schutzgitter sicher befestigt sind.

10.5 Tests (AC-Motor)

1. Überprüfen Sie den Ventilator vor Einschalten auf sichtbare Schäden und stellen Sie die ordnungsgemäße Funktion der Schutzeinrichtungen sicher.
2. Schalten Sie den Ventilator ein.
3. Zu prüfen:
 - ◆ Drehrichtung/Förderrichtung Es gilt immer die Drehrichtung mit Blick auf das Laufrad.
 - Die Drehrichtung kann am besten festgestellt werden, bevor der Ventilator anhält.
 - ◆ Laufruhe (eventuelle Schwingungen und Geräusche)
 - ◆ Stromverbrauch
 - ◆ Vergleichen Sie die Stromaufnahme mit den Nenndaten auf dem Typenschild.

- ◆ Dichtigkeit aller Anschlüsse

4. Schalten Sie den Ventilator aus.

10.6 Testen Sie den Motor (EC-Motor)

1. Überprüfen Sie den Ventilator vor Einschalten auf sichtbare Schäden und stellen Sie die ordnungsgemäße Funktion der Schutzeinrichtungen sicher.

Bei eingeschalteter Netzspannung startet der Motor eine Initialisierung (einige Sekunden). Nach der Initialisierung ist der Steuereingang aktiv.

2. Ausschalten des Ventilators über den Steuereingang.

3. Zu prüfen:

- ◆ Drehrichtung/Förderrichtung Es gilt immer die Drehrichtung mit Blick auf das Laufrad.
 - Die Drehrichtung kann am besten festgestellt werden, bevor der Ventilator anhält.
- ◆ Laufruhe (eventuelle Schwingungen und Geräusche)
- ◆ Stromverbrauch
 - ◆ Vergleichen Sie die Stromaufnahme mit den Nenndaten auf dem Typenschild.
- ◆ Dichtigkeit aller Anschlüsse

4. Ausschalten des Ventilators über den Steuereingang.

11 Betrieb

11.1 Sicherheitshinweise

Warnhinweis: Gefährdung durch elektrische Spannung oder sich bewegende Teile.

- ◆ Das Gerät darf nur von entsprechend qualifizierten Personen betrieben werden, Einzelheiten s. Tabelle 1 *Qualifikation*, Seite 28.
- ◆ Das Gerät darf nur von entsprechend unterwiesenen Personen betrieben werden, denen die Funktionen und Risiken bekannt sind und somit entsprechend handeln können.
- ◆ Berücksichtigen Sie die anlagenrelevanten Bedingungen und Anforderungen des Anlagenherstellers oder Anlagenbauers.

11.2 Voraussetzungen

- ◆ Es dürfen nur Personen auf das Gerät zugreifen, die dieses sicher bedienen können.
- ◆ Betreiben Sie den Ventilator nur in Übereinstimmung mit dessen Betriebsanleitung sowie der Betriebsanleitung für den Motor.
- ◆ Sicherheitseinrichtungen dürfen weder demontiert, noch umgangen oder außer Funktion gesetzt werden.

12 Fehlersuche/Fehlerbehebung/Wartung/Reparatur

12.1 Sicherheitshinweise

- ◆ Fehlersuche/Fehlerbehebung/Wartung/Reparatur dürfen nur von entsprechend qualifizierten Personen ausgeführt werden, Einzelheiten s. Tabelle 1 *Qualifikation*, Seite 28.
- ◆ Bei jeglichen Arbeiten im Umfeld des Ventilators ist die Schutzausrüstung zu tragen, s. 2.2 *Persönliche Schutzausrüstung*, Seite 28.
- ◆ Die 5 Sicherheitsregeln sind einzuhalten, s. 2.3 *Die 5 Sicherheitsregeln bei Arbeiten in und an elektrischen Anlagen*, Seite 28.
- ◆ Berücksichtigen Sie die anlagenrelevanten Bedingungen und Anforderungen des Anlagenherstellers oder Anlagenbauers.
- ◆ Das Laufrad muss still stehen.

12.2 Fehlersuche

Tabelle 7 Fehlersuche

Störung	Mögliche Ursachen	Abhilfe
Ventilator läuft unruhig	Laufrad hat Unwucht	Nachwuchtung durch ein Fachunternehmen
	Verschmutzung des Laufrads	Sorgfältig reinigen, nachwuchten
	Materialersetzung am Laufrad aufgrund aggressiver Fördermedien	Systemair kontaktieren
	Drehrichtung Laufrad falsch	Drehrichtung wenn möglich ändern. Ansonsten wenden Sie sich bitte an Systemair.
	Verformung des Laufrades durch zu hohe Temperatur	Stellen Sie sicher, dass die Temperatur den zertifizierten Wert nicht überschreitet/Neues Laufrad montieren
	Vibrationen/Schwingungen	Überprüfen Sie die Installation des Ventilators/Prüfen Sie das Kanalsystem, s. 8 <i>Installation</i> , Seite 33
Luftleistung des Ventilators zu gering	Drehrichtung Laufrad falsch	Drehrichtung wenn möglich ändern. Ansonsten wenden Sie sich bitte an Systemair.
	Falsche Verdrahtung (z.B. Stern anstatt Delta)	Verdrahtung überprüfen und evtl. korrigieren
	Druckverluste zu hoch	Optimieren Sie die Kanalführung
	Volumenstromregler sind nicht oder nur zum Teil geöffnet	Öffnungsstellung vor Ort kontrollieren
	Einlass- oder Druckwege blockiert	Blockierung entfernen
Schleifgeräusche beim Anlaufen oder im Betrieb des Ventilators	Prüfen Sie, ob der Kanalanschluss am Ventilator gespannt ist	Kanalanschluss (Einlassseite) lösen und neu ausrichten.
Thermokontakt/Kaltleiter ausgelöst	Drehrichtung Laufrad falsch	Drehrichtung wenn möglich ändern. Ansonsten wenden Sie sich bitte an Systemair.
	Fehlende Phase	Bei einem Drehstrommotor (nicht EC), ist zu prüfen, dass alle 3 Phasen vorhanden sind
	Überhitzung des Motors	Laufradkühlung prüfen (falls vorhanden), Widerstand der Motorwicklungen prüfen (wenn möglich) / Systemair kontaktieren
	Kondensator (falls verwendet) nicht oder nicht richtig angeschlossen	Kondensator korrekt anschließen
	Motor blockiert	Systemair kontaktieren

Fehlersuche forts.

Störung	Mögliche Ursachen	Abhilfe
Ventilator erreicht Nenndrehzahl nicht	Defekte Motorwicklung	Systemair kontaktieren
	Antriebsmotor falsch ausgerichtet	Systemair kontaktieren
	Regelgeräte (falls verwendet), wie Frequenzumrichter oder Transformator sind falsch eingestellt.	Regelgeräte korrekt einstellen.
	Mechanische Blockierung	Blockierung entfernen
Motor dreht sich nicht	Falsche Versorgungsspannung	Versorgungsspannung überprüfen, Spannungsversorgung wiederherstellen
	Anschluss defekt	Von der Stromversorgung trennen, Anschluss gemäß Schaltplan korrigieren
	Temperaturwächter hat reagiert	Motor abkühlen lassen. Fehlerursache ermitteln und beheben.
Elektronik/Motor überhitzt	Kühlung unzureichend	Kühlung verbessern.
	Motorüberlastung	Prüfen, ob der richtige Ventilator für die Anwendung verwendet wird.
	Umgebungstemperatur zu hoch	Prüfen, ob der richtige Ventilator für die Anwendung verwendet wird.



Hinweis!

Bei allen anderen Schäden/Fehlern wenden Sie sich bitte an Systemair. Defekte Ventilatoren müssen komplett ausgetauscht werden.

12.3 Wartung

Um einen dauerhaften Ventilatorbetrieb sicherzustellen, empfehlen wir regelmäßige Wartungsintervalle. Diese Wartungsintervalle sind vom Betreiber festzulegen. Die Häufigkeit der Wartungsarbeiten oder weiterer Tätigkeiten müssen auf die Anwendungsart der Ventilatoren abgestimmt werden. Für die Nachvollziehbarkeit ist die Erstellung eines Wartungsplans nötig, in dem die durchgeführten Arbeiten dokumentiert werden.

Kürzere Wartungsintervalle sollte für die folgenden Bedingungen angewendet werden (unter anderen):

- Ventilatoren für Küchenabluft
- Umgebungstemperatur > 40 °C oder < -10 °C, oder Temperaturschwankungen > 20 K

In der folgenden Checkliste finden Sie Beispiele für die durchzuführenden Aufgaben.

Tabelle 8 Handlungen

Handlung	nach Bedarf	regelmäßige Intervalle
Prüfen Sie den Ventilator und dessen Komponenten auf sichtbare Schäden, Korrosion und Verschmutzung		X
Prüfen Sie das Laufrad auf Schäden und Unwucht		X
Prüfen Sie die korrekte Funktion des Kondensatablaufs		X
Reinigen Sie den Ventilator/Lüftungssystem (s. Kapitel Reinigung)	X	
Prüfen Sie die Schraubverbindungen, wenn nötig nachziehen		X
Stellen Sie sicher, dass der Einlass des Ventilators frei von Verschmutzungen ist		X
Prüfen Sie, dass der Ventilator und dessen Komponenten bestimmungsgemäß verwendet werden	X	
Prüfen Sie die Stromaufnahme		X
Prüfen Sie die Schwingungsdämpfer auf korrekte Funktion		X

Handlungen forts.

Prüfen Sie die elektrischen und mechanischen Schutzeinrichtungen auf korrekte Funktion		X
Prüfen Sie, dass das Typenschild des Ventilators lesbar ist		X
Prüfen Sie, dass die Anschlussklemmen und Kabelverschraubungen fest angezogen sind und keine sichtbaren Schäden/Defekte aufweisen	X	
Die flexiblen Verbinder auf Beschädigung prüfen.		X



Hinweis!

Bei Fragen wenden Sie sich bitte an Systemair. Defekte Ventilatoren müssen komplett ausgetauscht werden.

12.4 Ersatzteile

- ◆ Verwenden Sie nur Originalersatzteile von Systemair!
- ◆ Geben Sie bei einer Ersatzteilbestellung die Seriennummer des Ventilators an. Diese ist auf dem Typenschild angegeben.

13 Reinigung

13.1 Sicherheitshinweise

- ◆ Die Reinigung darf nur von entsprechend qualifizierten Personen ausgeführt werden, Einzelheiten s. Tabelle 1 *Qualifikation*, Seite 28.
- ◆ Bei jeglichen Arbeiten im Umfeld des Ventilators ist die Schutzausrüstung zu tragen, s. 2.2 *Persönliche Schutzausrüstung*, Seite 28.
- ◆ Die 5 Sicherheitsregeln sind einzuhalten, s. 2.3 *Die 5 Sicherheitsregeln bei Arbeiten in und an elektrischen Anlagen*, Seite 28.
- ◆ Stellen Sie sicher, dass die Spannungsversorgung abgeschaltet wurde (allpoliger Trennschalter).
- ◆ Stellen Sie sicher, dass das Laufrad still steht.

13.2 Vorgehensweise

Wichtig

Für eine lange Einsatzdauer ist der Ventilator sauber zu halten.

- ◆ Installieren Sie eine Filterüberwachung.
- ◆ Verwenden Sie keine Stahlbürsten oder scharfkantigen Gegenstände.
- ◆ Verwenden Sie keinesfalls einen Hochdruckreiniger („Dampfstrahler“).
- ◆ Verbiegen Sie die Ventilatorblätter bei der Reinigung nicht.
- ◆ Beim Reinigen des Laufrades auf aufgesteckte Wuchtgewichte achten.
- ◆ Halten Sie die Luftwege des Ventilators sauber und reinigen Sie sie bei Bedarf mit einer Bürste.

14 Demontage/Ausbau

Die Demontage und der Ausbau des Motors sind in umgekehrter Reihenfolge der Montage und des elektrischen Anschlusses durchzuführen.

15 Entsorgung

- ◆ Stellen Sie sicher, dass das Material recycelt wird. Beachten Sie die nationalen Vorschriften.
- ◆ Das Gerät und die Transportverpackung bestehen zum überwiegenden Teil aus recyclingfähigen Rohstoffen.
- ◆ Zerlegen Sie den Ventilator in seine Bestandteile.
- ◆ Trennen Sie die Teile nach:
 - wiederverwendbaren Teilen

- Materialgruppen für die Entsorgung (Metall, Kunststoff, Elektroteile, usw.)

16 EU-Konformitätserklärung – Thermoventilatoren

Der Hersteller:	Systemair GmbH Seehöfer Straße 45 97944 Boxberg Deutschland
Produktbezeichnung:	Thermoventilatoren
Typenbezeichnung:	AxZent; KBT; KBR; MUB-K; MUB/T; MUB/T-S; MUB/T EC; MUB/T-S EC; DVN; DVN EC; DVNI; DVNI
Ab Baujahr:	2016

Der Hersteller erklärt, dass die oben genannten Produkte in ihrer Bauweise und Konstruktion sowie der von uns vermarkteten Ausführung den nachstehend aufgeführten Harmonisierungsvorschriften entsprechen:

EU-Richtlinien:	2006/42/EG	Maschinenrichtlinie
	2014/30/EU	Richtlinie Elektromagnetische Verträglichkeit (EMV)
	2011/65/EU	RoHS-Richtlinie

Folgende Normen wurden berücksichtigt:

Harmonisierte Normen:	DIN EN ISO 12100:2013	Sicherheit von Maschinen – Allgemeine Gestaltungsleitsätze – Risikobeurteilung und Risikoreduzierung
	DIN EN 60204-1:2010	Sicherheit von Maschinen – Elektrische Ausrüstung von Maschinen – Teil 1: Allgemeine Anforderungen
	DIN EN 61000-6-1:2007	Elektromagnetische Verträglichkeit (EMV) – Teil 6-1: Fachgrundnorm – Störfestigkeit für Wohnbereich, Geschäfts- und Gewerbebereich sowie Kleinbetriebe
	DIN EN 61000-6-2:2011	Elektromagnetische Verträglichkeit (EMV) – Teil 6-2: Fachgrundnorm – Störfestigkeit für Industriebereiche

Boxberg, 20.04.2016



ppa. Harald Rudelgass, Technischer Leiter

17 Inbetriebnahmeprotokoll

Ventilator

Beschreibung:

Artikel-Nr.:

Produktionsauftragsnr.:

Installateur

Firma:

Ansprechpartner:

Firmenadresse:

Tel.-Nr.:

E-Mail:

Betreiber (Installationsort)

Firma:

Ansprechpartner:

Firmenadresse:

Tel.-Nr.:

E-Mail:

Anschlussart

Ja Nein

Direkt am Netz

0-10 V Signal (EC-Motor)

Über Schützsteuerung

Transformator

Frequenzumrichter

Sinus-Filter

Geschirmte Kabel

Motorschutz

Ja Nein

Motorschutzschalter oder Motorschutzrelais

Kaltleiter

Widerstandswert [Ω]:

Thermokontakt

Elektrischer Motorschutz

Andere:

Funktionsprüfung

Ja Nein

Laufgrad leicht drehbar (per Hand)

Drehrichtung entspricht Drehrichtungspfeil

Nenndaten - Ventilator (Typenschild auf dem Ventilatorgehäuse)

Spannung [V]:

Strom [A]:

Frequenz [Hz]:

Leistung [kW]:

Laufradrehzahl [U/Min]:

Messdaten bei Inbetriebnahme

Spannung [V]:	Temp. der geförderten Luft [°C]:
Strom L1 [A]*:	Lafraddrehzahl [U/Min]:
Strom L2 [A]:	Volumenstrom [m ³ /h]:
Strom L3 [A]:	Differenzdruck [Pa]*:

*Bei Einphasenventilatoren in Zeile „Strom L1 [A] eintragen“ *Δ-Druck zwischen Saug und Ausblasseite des Ventilators

Falls eine Volumenstrommessung nicht möglich ist, kann der Wert über folgende Formel errechnet werden:

$$\text{Kanalquerschnitt [m}^2\text{]} \times \text{Strömungsgeschwindigkeit [m/s]} = \text{Volumenstrom [m}^3\text{/h]:}$$

Gittermessung nach VDI 2044

	Ja	Nein
Inbetriebnahme des Ventilators erfolgreich?	<input type="checkbox"/>	<input type="checkbox"/>

Datum, Unterschrift Installateur

Datum, Unterschrift Betreiber

Das vollständige Inbetriebnahmeprotokoll ist an einem sicheren Ort aufzubewahren. Im Gewährleistungsfall kann das Inbetriebnahmeprotokoll von Systemair GmbH angefordert werden. Dieses Dokument kann auch in unserem Online-Katalog heruntergeladen werden.

Bei technischen Fragen kontaktieren Sie bitte den technischen Support von Systemair GmbH (Tel. +49 7930/9272 730).

